

# Power & Material delivery network in space

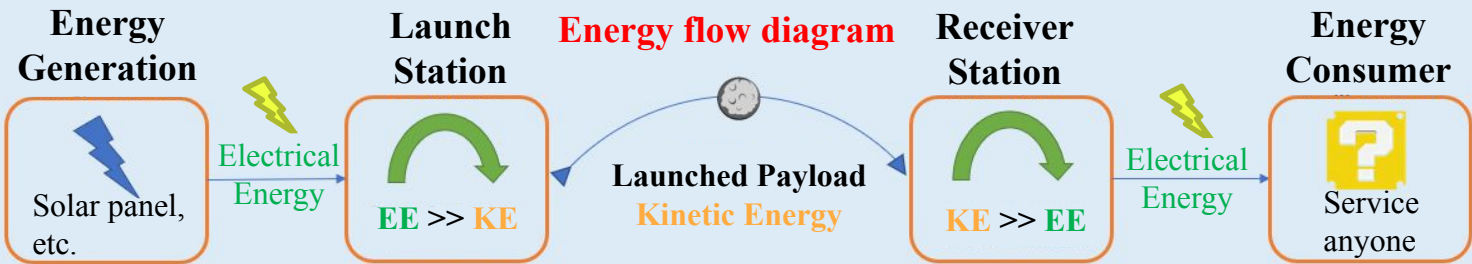
The Lunar market capitalization is growing exponentially and estimated to be worth \$170B by 2040. Tourism, mining, exploration, and industrialization will require power; today's Earth energy distribution technology can't be used to scale operations economically on the Moon.

## Team:

Vu Vuong(MEng), Scott Ziegler (MEng), Gary Li (MEng)

## Advisors:

Dr. Van P. Carey (Mechanical Engineering Department)



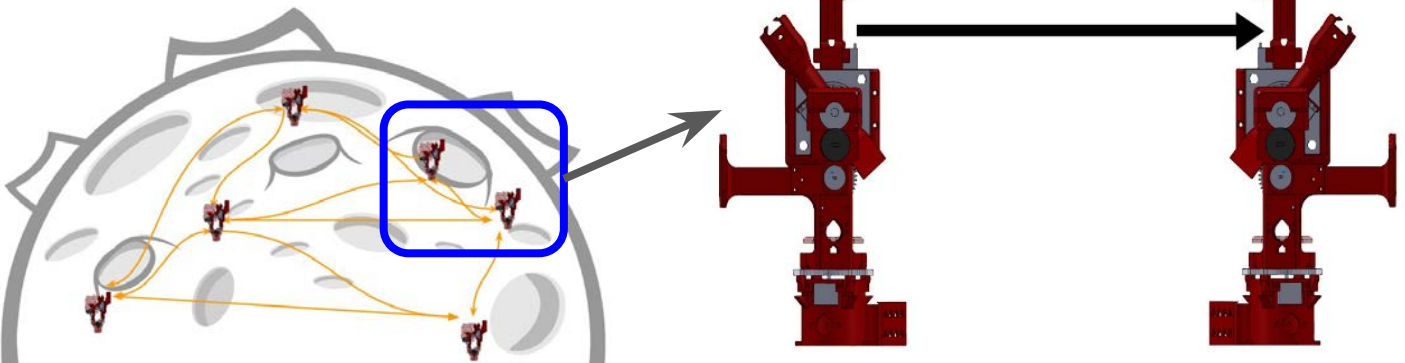
## Our solution:

We will remove geographical and financial barriers in space exploration by providing a **cableless energy/mass transfer system** via the Kinetic Distribution System.

- Launchers send object to catchers between stations
- Catcher will convert **kinetic energy (KE) to electricity (EE)**
- **Cableless** transmission

## Network Overview:

## Motors model:



## Delivery Network Diagram

